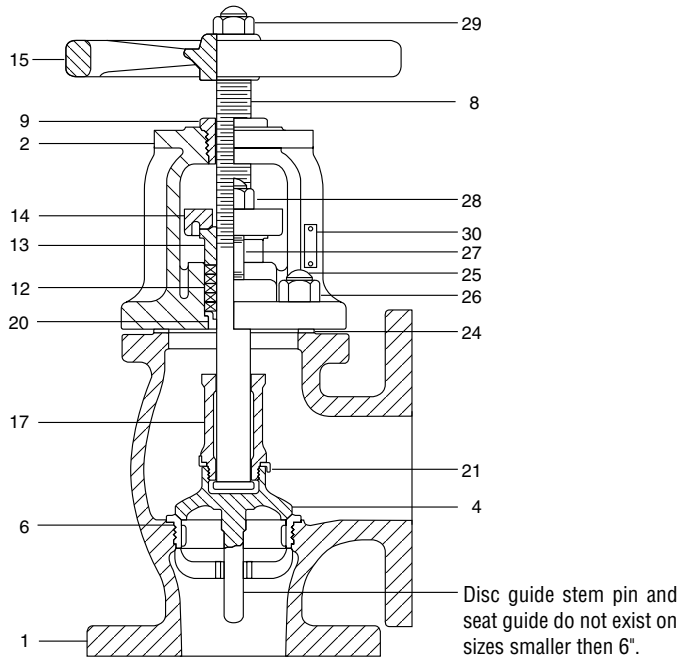


Class 125 • Bolted Bonnet • OS&Y • Bronze Trim • Flanged

353 Globe Valve



Materials of Construction

No.	Description	Material	ASTM
1	Body	Cast Iron	A126 Class B
2	Bonnet	Cast Iron	A126 Class B
4	Disc	Bronze	B584 C84400
6	Seat Ring	Bronze	B584 C84400
8	Stem	Manganese Bronze	B584 C86400
9	Yoke Bushing	Manganese Bronze	B584 C86400
12	Packing	Braided Flexible Graphite with Corrosion Inhibitor	
13	Gland	Brass (2" - 4")	B16 C36000
		Bronze (6")	B584 C84400
14	Gland Flange	Ductile Iron	A536 Gr. 65-45-12
15	Handwheel	Ductile Iron	A536 Gr. 65-45-12
17	Disc Stem Ring	Bronze	B584 C84400
20	Stem Hole Bushing	Brass	B16 C36000
21	Locking Device	18-8 Stainless Steel	A167
24	Bonnet Gasket	Aramid Fibers with SBR Binder	
25	Bonnet Studs	Carbon Steel	A108
26	Bonnet Stud Nuts	Carbon Steel	A563 Gr. A
27	Gland Studs	Naval Brass	B21 C48200
28	Gland Stud Nuts	Brass	B16 C36000
29	Handwheel Nut	Carbon Steel	A563 Gr. A
30	Identification Plate	Aluminum	

* Not shown

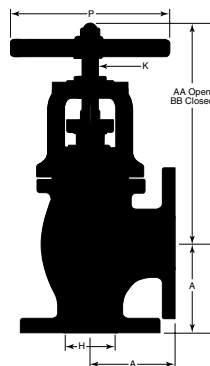
See page 5 for Pressure Temperature Ratings

Industry Standards

MSS SP-85, Type 2

Dimensions and Weights

Inches (millimeters) - Pounds (kilograms)



Valve Size	Dimensions						WT
	A	H	K	P	AA	BB	
2	4.00	2.00	0.88	8.00	11.00	10.25	32
	(102)	(51)	(22)	(203)	(279)	(260)	(15)
2 ½	4.25	2.50	0.88	8.00	11.50	10.50	38
	(108)	(64)	(22)	(203)	(292)	(267)	(17)
3	4.75	3.00	1.00	9.00	12.75	11.75	54
	(121)	(76)	(25)	(229)	(324)	(299)	(25)
4	5.75	4.00	1.12	10.00	15.00	13.75	88
	(146)	(102)	(29)	(254)	(381)	(349)	(40)
6	7.00	6.00	1.25	12.00	19.50	17.75	158
	(178)	(152)	(32)	(305)	(495)	(451)	(72)