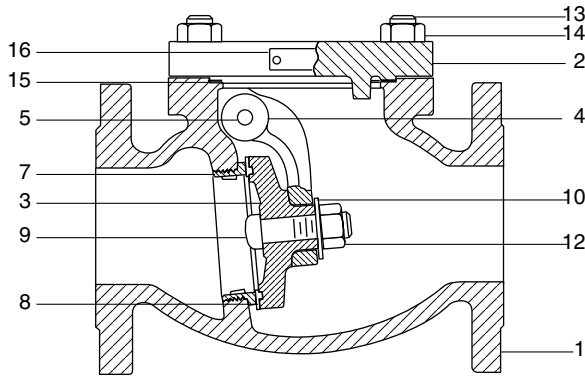


Class 250 • Bolted Cap • Bronze Trim • Flanged Ends

39E Check Valve



Materials of Construction

| No. | Description | Material | ASTM |
|-----|----------------------|----------------------------------|-------------------|
| 1 | Body | Cast Iron | A126 Class B |
| 2 | Cap | Cast Iron | A126 Class B |
| 3 | Disc | Bronze (2" - 3") | B584 C84400 |
| | | Cast Iron (4" - 8") | A126 Class B |
| 4 | Hinge | Ductile Iron | A536 Gr. 65-45-12 |
| 5 | Hinge Pin | 13 Cr. Stainless Steel (2" - 3") | A276 Type 410 |
| | | Bronze (4" - 8") | |
| 6 | Hinge Pin Plug* | Bronze | B16 C36000 |
| 7 | Body Seat Ring | Bronze | B584 C84400 |
| 8 | Disc Seat Ring | Bronze (4" - 8") | B584 C84400 |
| 9 | Disc Bolt | Steel (4" - 8") | |
| 10 | Disc Nut Washer | Steel | |
| 12 | Disc Bolt Nut | Steel - Dichromate Fin. | |
| 13 | Cap Studs | Steel | A108 |
| 14 | Cap Stud Nuts | Steel | A563 Gr. A |
| 15 | Gasket | Aramid Fibers with SBR Binder | |
| 16 | Identification Plate | Aluminum | |

* Not shown

See page 5 for Pressure Temperature Ratings

Industry Standards

Military Specification: MIL-V-18436 Group B, Type 3, Trim 5
MSS SP-71, Type 1

Dimensions and Weights

Inches (millimeters) - Pounds (kilograms)

| Valve Size | Dimensions | | WT |
|------------|------------|-------|-------|
| | B | M | |
| 2 | 5.25 | 10.50 | 46 |
| | (133) | (267) | (21) |
| 2 ½ | 6.00 | 11.50 | 64 |
| | (152) | (292) | (29) |
| 3 | 6.25 | 12.50 | 90 |
| | (159) | (318) | (41) |
| 4 | 7.25 | 14.00 | 133 |
| | (184) | (356) | (60) |
| 6 | 9.00 | 17.50 | 250 |
| | (229) | (445) | (113) |
| 8 | 11.00 | 21.00 | 410 |
| | (279) | (533) | (185) |

