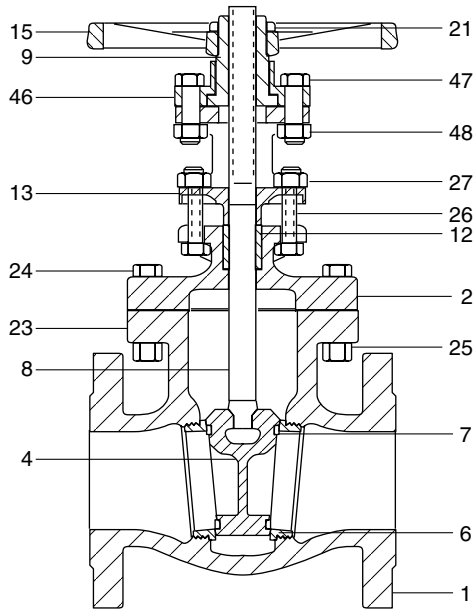


Class 250 • Bolted Bonnet • OS&Y • Bronze Trim • Flanged

7 ½E Gate Valve



Industry Standards

MSS SP-70, Type 1

Materials of Construction

| No. | Description | Material | ASTM |
|-----|--------------------|--|----------------------------|
| 1 | Body | Cast Iron | A126 Class B |
| 2 | Bonnet | Cast Iron | A126 Class B |
| 4 | Disc | Bronze (2" - 3") | B584 C84400 |
| | | Cast Iron (4" - 12") | A126 Class B |
| 6 | Seat Ring | Bronze | B584 C84400 |
| 7 | Disc Ring | Bronze (4" - 12") | B584 C84400 |
| 8 | Stem | Manganese Bronze (2" - 4", 6" - 8") | B584 C86400 |
| | | Naval Brass (5", 10", 12") | B21 C48500 |
| 9 | Yoke Sleeve | Manganese Bronze | B584 C86400 |
| 12 | Packing | Braided Flexible Graphite with Corrosion Inhibitor | |
| 13 | Gland | Ductile Iron (2" - 4", 6") | A536 Gr. 65-45-12 |
| | | Bronze (8" - 12") | B584 C84400 |
| 14 | Gland Flange* | Carbon Steel (5") | A307 Gr. B |
| | | Ductile Iron (8" - 12") | A536 Gr. 65-45-12 |
| 15 | Handwheel | Ductile Iron | A536 Gr. 65-45-12 |
| 21 | Handwheel Nut | Sintered Nickel Steel (2" - 6") | B484 Gr. 2 Class B Type II |
| | | Ductile Iron (8" - 12") | A536 Gr. 65-45-12 |
| 23 | Bonnet Gasket | Aramid Fibers with SBR Binder | |
| 24 | Bonnet Bolt | Carbon Steel | A307 Gr. B |
| 25 | Bonnet Bolt Nut | Carbon Steel | A563 Gr. A |
| 26 | Gland Bolt | Carbon Steel (2" - 4", 6" - 8") | A307 Gr. B |
| | | Carbon Steel (5", 10", 12") | A307 Gr. B |
| 27 | Gland Bolt Nut | Carbon Steel Zinc-Plated | A563 Gr. A |
| 46 | Yoke Cap | Ductile Iron (2" - 4", 6") | A536 Gr. 65-45-12 |
| | | Cast Iron (8") | A126 Class B |
| 47 | Yoke Cap Bolt | Carbon Steel | A307 Gr. B |
| 48 | Yoke Cap Bolt Nut | Carbon Steel | A563 Gr. A |
| 51 | Yoke Hub Bolt* | Carbon Steel (5", 10", 12") | |
| 52 | Yoke Hub Bolt Nut* | Carbon Steel (5", 10", 12") | |
| 53 | Yoke Pad Bolt* | Carbon Steel (5", 10", 12") | |

* Not shown

See page 5 for Pressure Temperature Ratings

Dimensions and Weights

Inches (millimeters) - Pounds (kilograms)

| Valve Size | Dimensions | | | WT |
|------------|------------|-------|-------|-------|
| | B | C | M | |
| 2 | 15.06 | 8.00 | 8.50 | 54 |
| | (382) | (203) | (216) | (24) |
| 2 ½ | 16.69 | 8.00 | 9.50 | 80 |
| | (424) | (203) | (241) | (36) |
| 3 | 18.75 | 10.00 | 11.12 | 114 |
| | (476) | (254) | (282) | (52) |
| 4 | 23.44 | 12.00 | 12.00 | 174 |
| | (595) | (305) | (305) | (79) |
| 5 | 24.00 | 14.00 | 15.00 | 280 |
| | 609 | 356 | 381 | 127 |
| 6 | 31.75 | 16.00 | 15.88 | 332 |
| | (806) | (406) | (403) | (151) |
| 8 | 39.88 | 18.00 | 16.50 | 600 |
| | (1,012) | (457) | (419) | (270) |
| 10 | 41.75 | 22.00 | 18.00 | 920 |
| | (1060) | (559) | (457) | (417) |
| 12 | 47.00 | 24.00 | 19.75 | 1400 |
| | (1193) | (610) | (502) | (635) |

