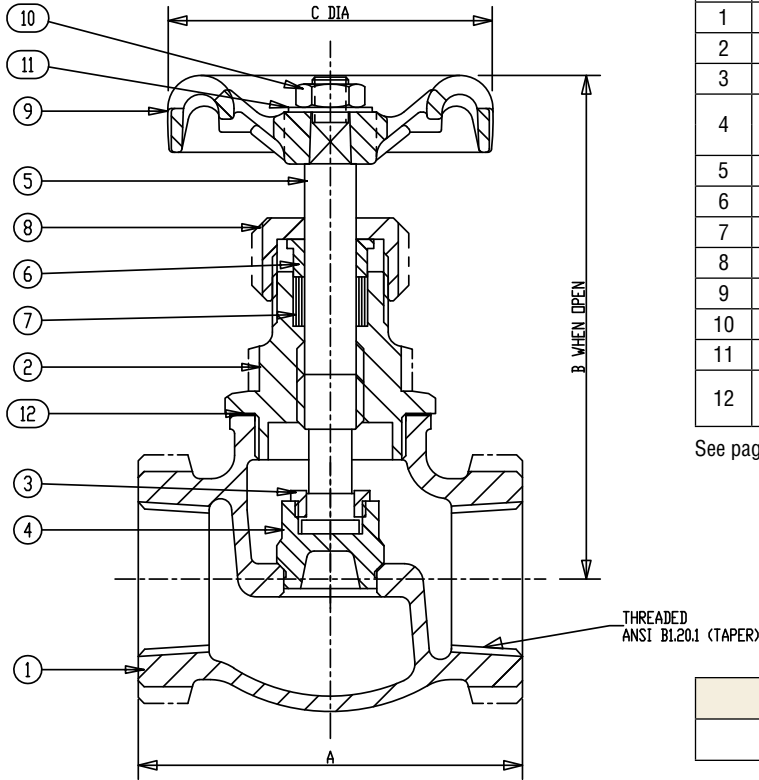


Class 125 • Threaded Bonnet • Bronze Disc • Threaded Ends

1 Globe Valve



Materials of Construction

No.	Description	Material	ASTM Spec.
1	Body	Bronze	B-62 C83600
2	Bonnet	Brass	B-62 C83600
3	Disc Stem Ring	Copper Silicon Bronze	B-371 C69400
4	Disc	($\frac{1}{4}$ " - $\frac{3}{4}$ ") Copper Silicon Bronze	B-371 C69400
		(1" - 2") Bronze	B-62 C83600
5	Stem	Copper Silicon Bronze	B-371 C69400
6	Gland	Brass	BSEN12164 CW614N
7	Packing	Graphite (Asbestos Free)	
8	Packing Nut	Brass	BSEN12164 CW614N
9	Handwheel	Malleable Iron	A-197 F22000
10	Handwheel Nut	Brass	BSEN12164 CW614N
11	ID Plate	Aluminum	
12	Gasket	Synthetic Glass Fiber with Nitrile Filled	

See page 8 for Pressure-Temperature Ratings.

Industry Standards
MSS SP-80, Type 1

Dimensions and Weights
Inches (millimeters) - Pounds (kilograms)

Valve Size	Dimensions			Wt.
	B	C	A	
$\frac{1}{4}$	3.94	2.05	2.05	0.88
	(100)	(52)	(52)	(0.40)
$\frac{3}{8}$	3.94	2.05	2.05	0.86
	(100)	(52)	(52)	(0.39)
$\frac{1}{2}$	3.98	2.05	2.44	1.19
	(101)	(52)	(62)	(0.54)
$\frac{3}{4}$	4.53	2.05	2.91	1.43
	(115)	(52)	(74)	(0.65)
1	4.92	2.76	3.54	1.98
	(125)	(70)	(90)	(0.90)
1 $\frac{1}{4}$	5.91	2.76	3.94	3.48
	(150)	(70)	(100)	(1.58)
1 $\frac{1}{2}$	6.26	3.62	4.53	4.54
	(159)	(92)	(115)	(2.06)
2	7.52	4.06	5.35	7.30
	(191)	(103)	(136)	(3.31)