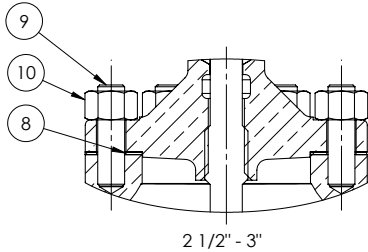
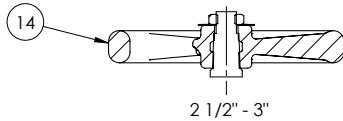
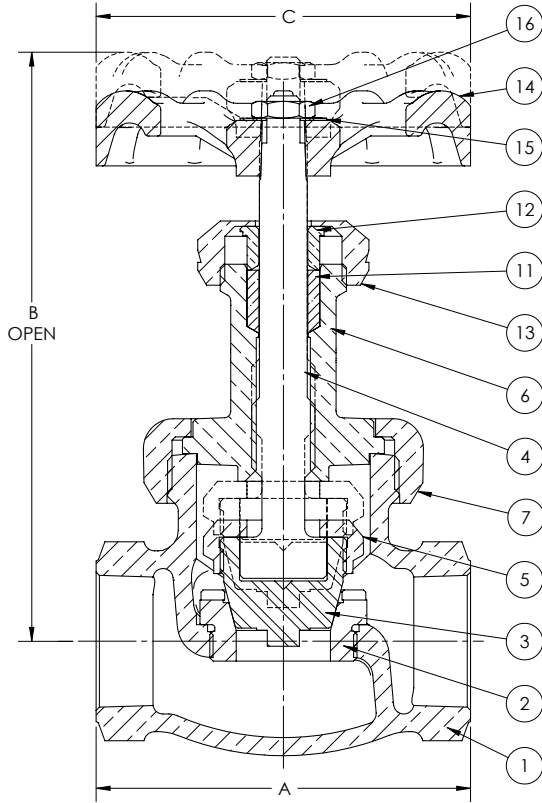


Class 300 • Union Bonnet* • Plug-Type Disc • Renewable SS Seats

382P Globe Valve



Materials of Construction

No.	Description	Material	ASTM Spec.
1	Body	Bronze	B-61 C92200
2	Body Seat Ring	Stainless Steel	AISI 420 SS
3	Disc	Stainless Steel	AISI 420F SS
4	Stem	Bronze	B-371 C69400
5	Disc Stem Ring	(1/4" - 3/4") Brass	B-16 H02
		(1" - 3") Bronze	B-61 C92200
6	Bonnet	(1/4" - 3/8") Brass	B-16 H02
		(1/2" - 3") Bronze	B-61 C92200
7	Union Bonnet Ring	Bronze	B-61 C92200
8	Gasket	Synthetic/Glass Fiber with Nitrile Binder	
9	Stud	Steel Cadmium	A-109 C1145
10	Nut	Mild Steel	A-563 Gr-A
11	Packing	Graphite (Asbestos Free)	Type 11
12	Gland	Brass	B-16 H02
13	Packing Nut	Brass (1/4 1 1/2")	B-16 H02
		Bronze (2-3")	B-61 C92200
14	Handwheel	Cast Iron	
		Ductile Iron	
15	ID Tag	Aluminum	
16	Lock Nut	Steel Cadmium	

See page 8 for Pressure-Temperature Ratings.

Industry Standards
MSS SP-80, Type 3

Dimensions and Weights
Inches (millimeters) - Pounds (kilograms)

Valve Size	Dimensions			Wt.
	B	C	A	
1/4	4.47	2.76	1.94	0.97
	(114)	(70)	(49)	(0.44)
3/8	4.47	2.76	1.94	0.95
	(114)	(70)	(49)	(0.43)
1/2	4.06	2.76	2.56	1.36
	(103)	(70)	(65)	(0.62)
3/4	4.98	2.76	2.96	2.20
	(127)	(70)	(75)	(1.00)
1	5.59	4.02	3.50	3.50
	(142)	(102)	(89)	(1.59)
1 1/4	6.48	4.02	4.02	4.93
	(165)	(102)	(102)	(2.24)
1 1/2	6.85	4.02	4.58	6.86
	(174)	(102)	(116)	(3.12)
2	7.39	4.76	5.70	12.83
	(188)	(121)	(145)	(5.83)
*2 1/2	9.68	5.51	7.24	23.58
	(246)	(140)	(184)	(10.7)
*3	11.02	5.98	8.50	34.83
	(280)	(152)	(216)	(15.8)

* 2 1/2" and 3" have Bolted Bonnet