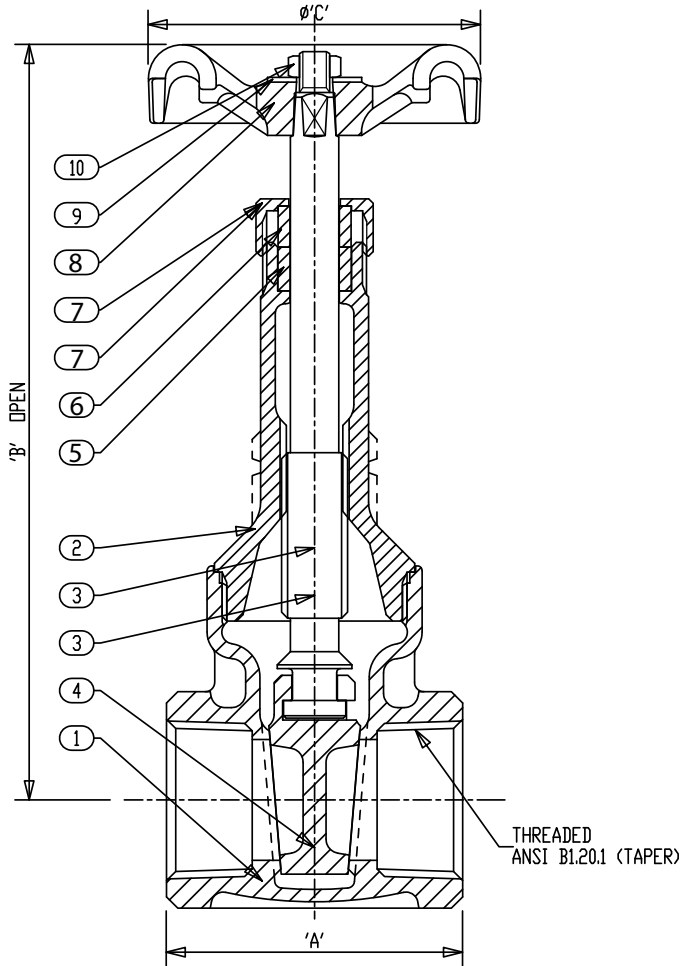


Class 125 • Threaded Bonnet • Rising Stem • Threaded Ends

428 Gate Valve



Materials of Construction

| No. | Description | Material | ASTM Spec. |
|-----|---------------|--------------------------|------------------|
| 1 | Body | Bronze | B-62 C83600 |
| 2 | Bonnet | Bronze | B-62 C83600 |
| 3 | Stem | Copper Silicon Bronze | B-371 69400 |
| 4 | Disc | Bronze | B-62 C83600 |
| 5 | Packing Ring | Graphite (Asbestos Free) | |
| 6 | Gland | Brass | BSEN12164 CW614N |
| 7 | Packing Nut | Brass | BSEN12164 CW614N |
| 8 | Handwheel | Malleable Iron | A-197 F22000 |
| 9 | ID Plate | Aluminum | |
| 10 | Handwheel Nut | Brass | BSEN12164 CW614N |

See page 8 for Pressure-Temperature Ratings.

| Industry Standards |
|--------------------|
| MSS SP-80, Type 2 |

Dimensions and Weights

Inches (millimeters) - Pounds (kilograms)

| Valve Size | Dimensions | | | Wt. |
|------------|------------|-------|-------|--------|
| | B | C | A | |
| ¼ | 4.96 | 1.75 | 1.81 | 0.7 |
| | (126) | (45) | (46) | (0.32) |
| ⅜ | 4.96 | 1.75 | 1.81 | 0.7 |
| | (126) | (45) | (46) | (0.31) |
| ½ | 5.07 | 2.06 | 1.98 | 1.0 |
| | (129) | (52) | (51) | (0.46) |
| ¾ | 6.25 | 2.56 | 2.14 | 1.6 |
| | (159) | (65) | (55) | (0.72) |
| 1 | 7.44 | 2.75 | 2.46 | 2.4 |
| | (189) | (70) | (63) | (1.10) |
| 1 ¼ | 8.62 | 3.06 | 2.77 | 3.3 |
| | (219) | (78) | (71) | (1.50) |
| 1 ½ | 9.68 | 3.62 | 2.85 | 4.9 |
| | (246) | (92) | (73) | (2.25) |
| 2 | 11.85 | 3.62 | 3.25 | 7.0 |
| | (301) | (92) | (83) | (3.20) |
| 2 ½ | 14.53 | 5.28 | 4.25 | 12.8 |
| | (369) | (134) | (108) | (5.80) |
| 3 | 16.39 | 5.28 | 4.59 | 18.8 |
| | (416) | (134) | (117) | (8.52) |