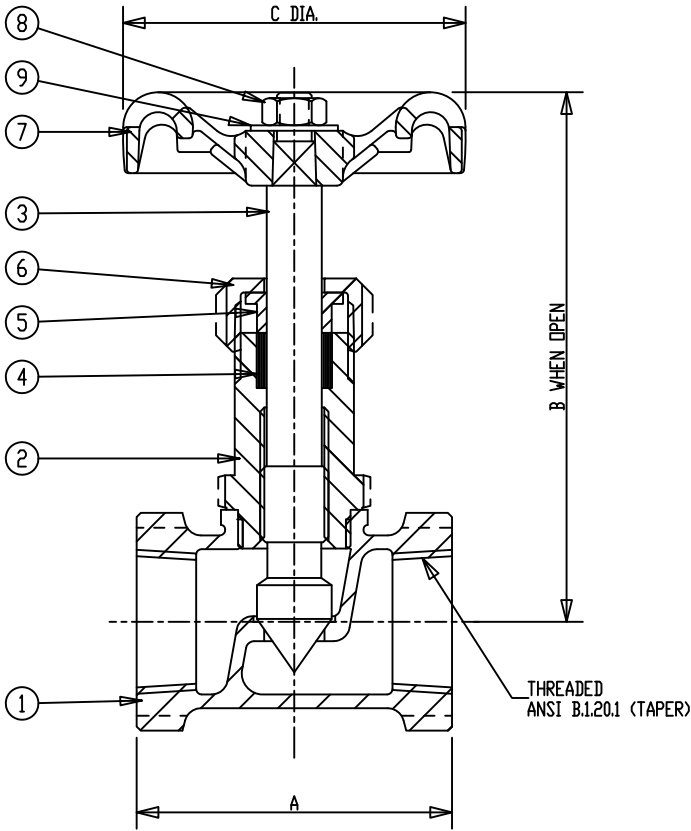


**Class 200 • Threaded Bonnet • Needle Type Disc • Thrd. Ends**

**88 Globe Valve**



**Materials of Construction**

No.	Description	Material	ASTM Spec.
1	Body	Bronze	B-62 C83600
2	Bonnet	( $\frac{1}{8}$ " - $\frac{1}{2}$ ") Sil. Al. Bronze	BSEN12163 CW301G
		( $\frac{3}{4}$ ") Brass	BSEN12164 CW614N
3	Stem	Sil. Al. Bronze	BSEN12163 CW301G
4	Packing	Graphite (Asbestos Free)	
5	Gland	Brass	BSEN12164 CW614N
6	Packing Nut	Brass	BSEN12164 CW614N
7	Handwheel	Aluminum	
8	Handwheel Nut	Brass	BSEN12164 CW614N
9	ID Plate	Aluminum	

See page 8 for Pressure-Temperature Ratings.

**Industry Standards**

MSS SP-80, Type 1

**Dimensions and Weights**

Inches (millimeters) - Pounds (kilograms)

Valve Size	Dimensions			Wt.
	B	C	A	
$\frac{1}{8}$	2.91	1.73	1.14	0.29
	(74)	(44)	(29)	(0.13)
$\frac{1}{4}$	2.87	1.73	1.54	0.33
	(73)	(44)	(39)	(0.15)
$\frac{3}{8}$	3.03	1.73	1.77	0.46
	(77)	(44)	(45)	(0.21)
$\frac{1}{2}$	3.58	2.05	2.01	0.64
	(91)	(52)	(51)	(0.29)
$\frac{3}{4}$	4.09	2.56	2.28	1.01
	(104)	(65)	(58)	(0.46)